

# BOD X 4000

## 系列气水混合反洗叠片过滤系统

BOD X 4000 Series disc Filtration System Mixed Back Flushing Of Air And Water

### 🤖 技术特点 / CHARACTERISTICS

# 01

过滤高效稳定，反洗时间更短，反洗水量极小  
Efficient filtration with low back flushing water consumption and short time.

# 02

可按空间模块化自由组合，节省占地  
Modular design for space saving, free combination according to the mounting space.

# 03

根据压差/定时进行自动反洗，反洗时系统不断流  
Back flushing cycle can be activated by differential pressure & timing, without an interruption of filtration.

# 04

系统维护成本低，运行安全可靠，使用寿命长  
Low maintenance cost, reliable safe operation and long service life.

# 05

气源驱动，进水压力要求低，降低了系统能耗  
Pneumatic drive automatic back flushing, lower feed pressure requirements and lower system power consumption.

# 06

所有型号法兰连接标准可选择ANSI B16.5 / DIN2576 / GB9119  
Flange standard optional for ANSI B16.5 / DIN2576 / GB9119.

# 07

气水混合反洗更彻底更干净，适应粘性胶体、纤维颗粒等复杂流体和环境  
Mixed back flushing of air and water make it clean thoroughly and applicable for complex fluid such as viscous colloid, fiber particles, etc.

# 08

过滤精度可以选择50、100、130、200微米等（其他精度可以咨询厂家）  
Filtration grade optional for 50 / 100 / 130 / 200 micron etc, further requirements please refer to the manufacture.



BOD	产品型号 Model	最大流量 Max. Flow		滤头数×尺寸 Filter unit × size	进水管 Inlet / Outlet	控制系统 Control Unit
		gpm	m <sup>3</sup> /h	inch	inch DN PN1.0	220V AC
BOD X 4000	BOD X 403/6F	726	165	3 x 4 "	6" 150	BOA N 104
	BOD X 404/8F	968	220	4 x 4 "	8" 200	BOA N 105
	BOD X 405/8F	1210	275	5 x 4 "	8" 200	BOA N 106
	BOD X 406/8F	1452	330	6 x 4 "	8" 200	BOA N 107
	BOD X 407/10F	1694	385	7 x 4 "	10" 250	BOA N 108
	BOD X 408/10F	1936	440	8 x 4 "	10" 250	BOA N 109
	BOD X 409/12F	2178	495	9 x 4 "	12" 300	BOA N 110
	BOD X 410/12F	2420	550	10 x 4 "	12" 300	BOA N 111
BOD X 411/12F	2662	605	11 x 4 "	12" 300	BOA N 112	

气水混合反洗，气源压力0.3-0.6MPa。AIR ASSISTED BACKWASHING, COMPRESSED AIR PRESSURE 0.3-0.6MPa.

# BOD X 4000系列气水混合反洗叠片过滤系统

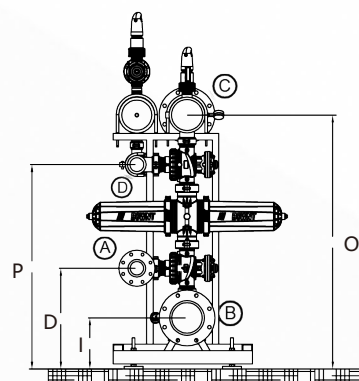
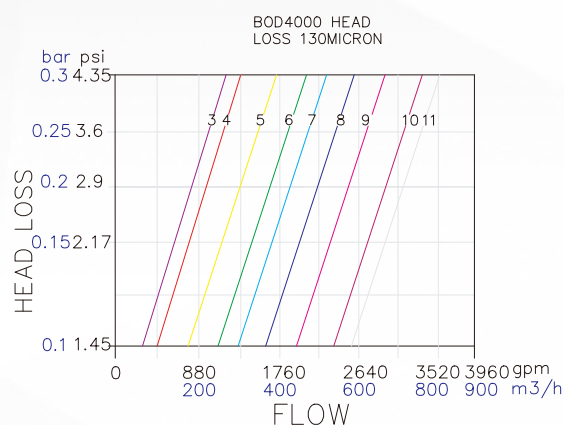
BOD X 4000 Series disc Filtration System Mixed Back Flushing Of Air And Water



产品型号 Model	尺寸 Dimensions inch( mm )						
	L	W	H	I	O	D	P
BOD X 403/6F	37.40 950	47.24 1200	81.81 2078	11.14 283	57.83 1469	22.04 560	46.93 1192
BOD X 404/8F	48.23 1225	47.24 1200	92.00 2337	12.60 320	61.18 1554	24.53 623	49.21 1250
BOD X 405/8F	59.06 1500	47.24 1200	92.00 2337	12.60 320	61.18 1554	24.53 623	49.21 1250
BOD X 406/8F	69.88 1775	47.24 1200	92.00 2337	12.60 320	61.18 1554	24.53 623	49.21 1250
BOD X 407/10F	85.63 2175	47.24 1200	96.45 2450	13.78 350	64.41 1636	26.77 680	51.46 1307
BOD X 408/10F	96.46 2450	47.24 1200	96.45 2450	13.78 350	64.41 1636	26.77 680	51.46 1307
BOD X 409/12F	107.28 2725	47.24 1200	99.01 2515	15.35 390	67.99 1727	29.33 745	52.83 1342
BOD X 410/12F	118.11 3000	47.24 1200	99.01 2515	15.35 390	67.99 1727	29.33 745	52.83 1342
BOD X 411/12F	128.94 3275	47.24 1200	99.01 2515	15.35 390	67.99 1727	29.33 745	52.83 1342

## 过滤单元基本参数 / BASIC PARAMETERS FOR THE FILTER UNIT

过滤单元 Filter unit		4"
最大工作压力 Max. working pressure	psi (MPa)	145 (1.0)
最小反洗压力 Min. back flushing pressure	psi (MPa)	36.25(0.25)
单元外壳材质 Filter shell material		玻璃纤维加强聚酰胺 glassfiber reinforced polyamide
叠片材质 Disc material		聚丙烯 PP
密封材料 Sealing material		天然橡胶+316不锈钢抱箍 rubber and ss316 clamp
反洗流量 Back flushing water consumption	gpm(l/s)	95.1(6)
建议反洗压差 Advise back flushing DP	psi (MPa)	7.25(0.05)
过滤面积 Filtration surface	inch <sup>2</sup> (cm <sup>2</sup> )	465(3000)
重量 Weight	(kg)	24
PH		4-13
温度 Temperature	°F (°C)	32-140(0-60)



- Ⓐ 排污管 / Drainage manifold
- Ⓑ 进水管 / Inlet manifold
- Ⓒ 出水管 / Outlet manifold
- Ⓓ 压力管 / Inlet pressure manifold

