



BOL/A

系列离心过滤器

BOL/A series centrifugal filter

产品简介 / PRODUCT DESCRIPTION

BOL/A系列离心过滤器适用于微灌系统和含沙量大的地表及地下水的初级过滤，应用于蔬菜、果树、温室、花卉、茶园、绿地及大田各类农作物的灌溉，节水、节能、改善植物品质、提高产品档次、维护生态平衡、利国利民，离心过滤器是由传统农业向现代农业转变的必备灌溉产品。

BOL/A series centrifugal filter is widely used in irrigation system and prefiltration of surface water and ground-water with heavy sand contents. Such as vegetables, fruit trees, greenhouse, flowers, tea garden, greenland and all kinds of crops irrigation. It helps to save water and energy, improves agriculture productivity, and maintains ecological balance. Centrifugal filter is an essential irrigation product for the transformation from traditional agriculture to modern agriculture.

产品特点 / PRODUCT FEATURES



- 01** 过滤器罐体及管道可提供工程塑料、碳钢静电粉末喷涂材质，满足不同的水质要求。
Filter housing and manifolds are made of engineering plastics or carbon steel with electrostatic powder spraying to meet with different water sources.
- 02** 遵循水力学原理，优化结构设计，分离效果好。
Perfect hydraulics design and good separation effect.
- 03** 它内部没有滤网，也没有可拆卸的部件，结构简单，免维护。
There is no filter screen or detachable parts, simply structure and free of maintenance.
- 04** 无额外能耗。
Free of external energy consumption.
- 05** 储砂罐配以快开式手孔盖，开闭迅速方便。
Quick-open sand storage tank makes it quickly and conveniently sewage drain.
- 06** 安装简单，没有需要更换的部件。
Simply installation and no need to replace the parts.
- 07** 离心过滤器对于大于75 μ m的砂粒，分离率约为98%，分离效率高。
Highly efficient separation, the separation rate for particle size over 75 μ m is up to 98%.
- 08** 定时清洗，清洗时系统不断流。
Regularly cleaning, filter works without an interruption during cleaning.
- 09** 离心过滤器过滤单元从2"至6"多种标准系列，还可根据客户的要求，提供非标系列。
The centrifugal filter size is standard from 2" to 6", other specifications can be customized as per customer's requirements.

BOL/A 系列离心过滤器

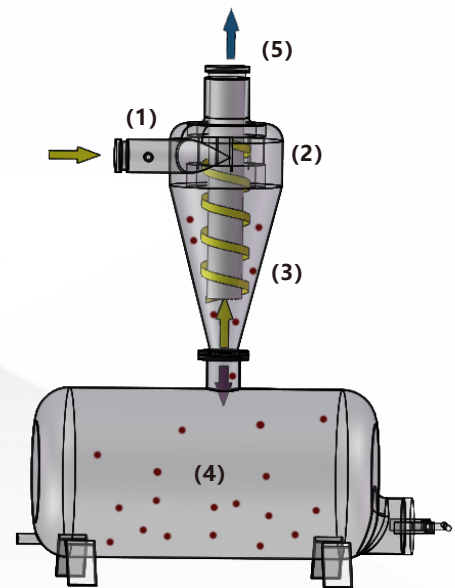
BOL/A series centrifugal filter



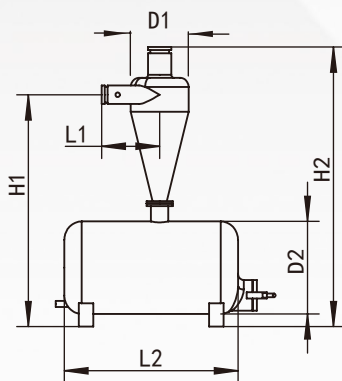
工作原理 / WORKING PRINCIPLE

水流由进水口 (1) 沿切线方向流入过滤系统, 特殊的顶部进口设计加速环 (2), 又对离心水流进行加速, 离心力则迫使杂质颗粒向分离腔 (3) 的边壁运动, 在那里杂质颗粒沿着边壁慢慢地落入静止收集腔 (4), 清洁水则依靠旋流作用从上部的出口 (5) 流出, 杂质颗粒可以间歇性从收集腔排出。

Water feeds into the filter inlet (1) along the tangential direction, produces a centrifugal flow and accelerating speed by the accelerator ring (2). Particles are thrown to the inner surface of the separation chamber (3) under the centrifugal force, afterwards fall into the collection chamber (4) and discharged from the drain outlet. While the clean water flows out from the filter outlet (5) under the water pressure.



型号 Model	标准流量范围 Flow Range		连接方式 Connection	材质 Material	储砂罐容积 Sand Storage Tank Volume (L)	最大承压 Max. Pressure	进出水管 Inlet/Outlet	重量 Weight (kg)
	最小流量 Min. Flow	最大流量 Max. Flow						
	m ³ /h	m ³ /h						
BOL/A 2" FC	11	15	卡口/法兰 Grooved/ Flange	碳钢喷涂防腐 carbon steel with anticorrosive treatment	20	10bar	2"	42
BOL/A 3" FC	35	52			35		3"	52
BOL/A 4" FC	52	80			60		4"	73
BOL/A 6" FC	120	160			160		6"	118
BOL/A 2" FP	11	15	螺纹/法兰 Thread / Flange	工程塑料 PA	15	10bar	2"	11
BOL/A 3" FP	35	52			25		3"	19
BOL/A 4" FP	52	80			45		4"	33



型号 Model	尺寸数据 Dimension (mm)					
	D1	D2	L1	L2	H1	H2
BOL/A 2" FC	219	219	275	400	697	837
BOL/A 3" FC	273	273	500	680	1120	1330
BOL/A 4" FC	325	325	600	820	1420	1660
BOL/A 6" FC	426	426	605	1140	1600	1905
BOL/A 2" FP	269	220	178	425	966	1090
BOL/A 3" FP	333	260	210	500	1109	1270
BOL/A 4" FP	459	334	273	565	1292	1494

